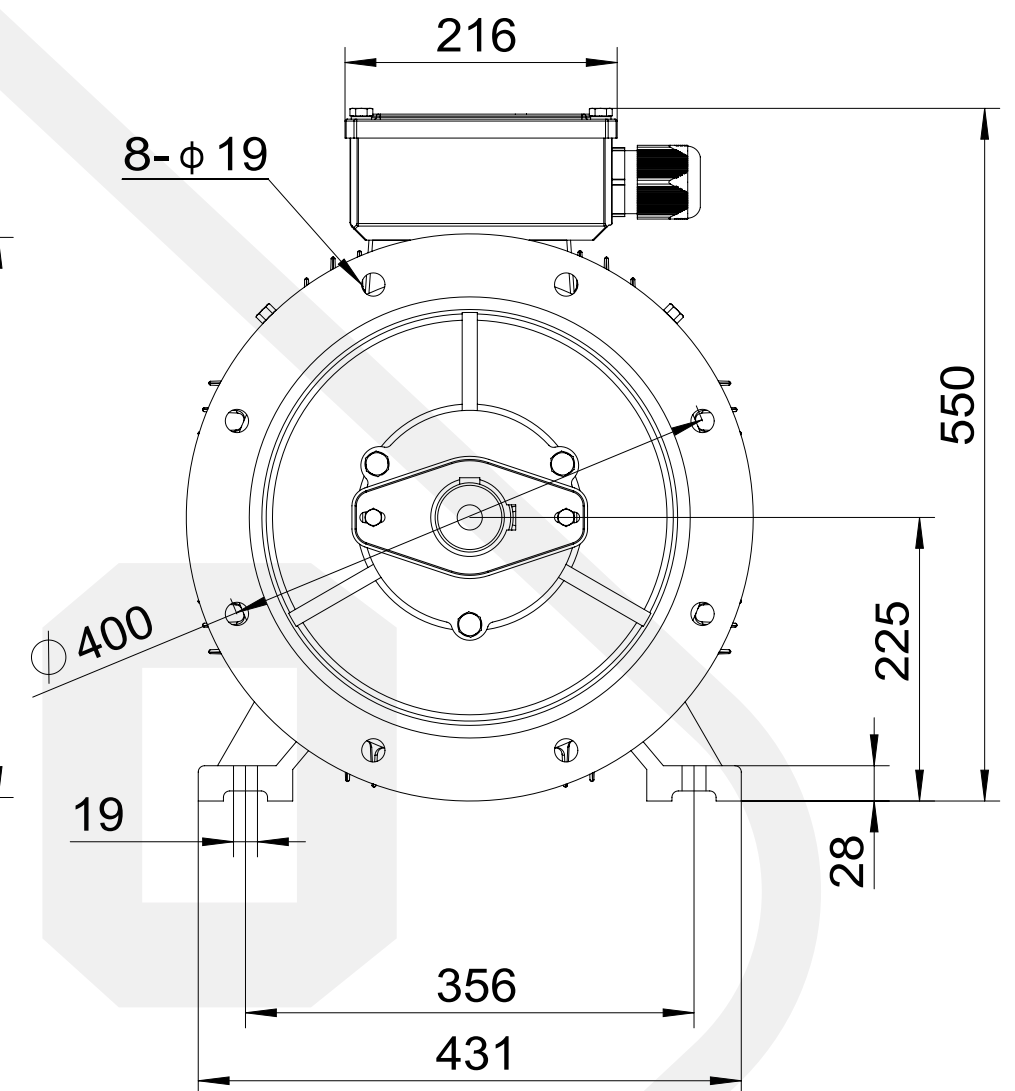
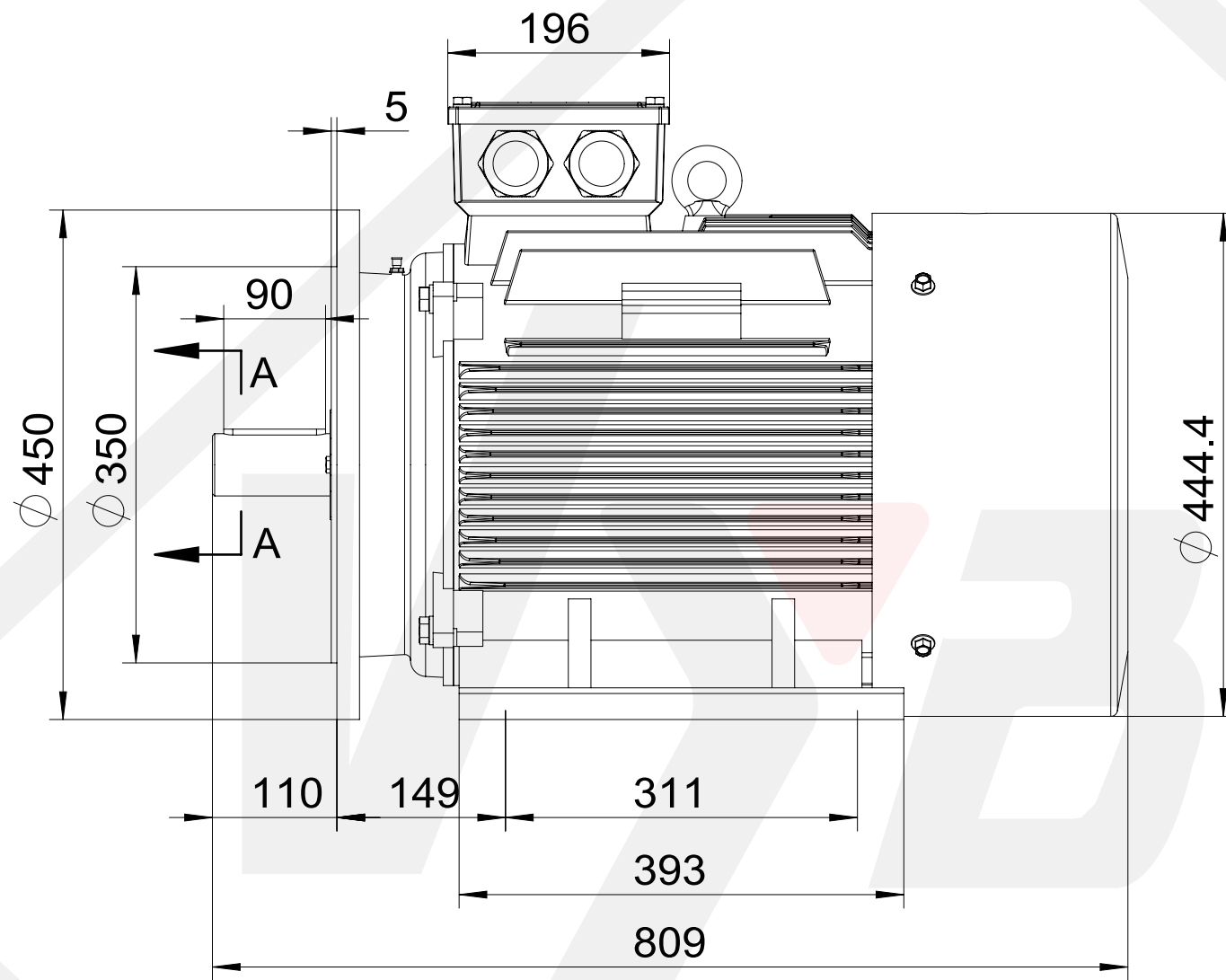
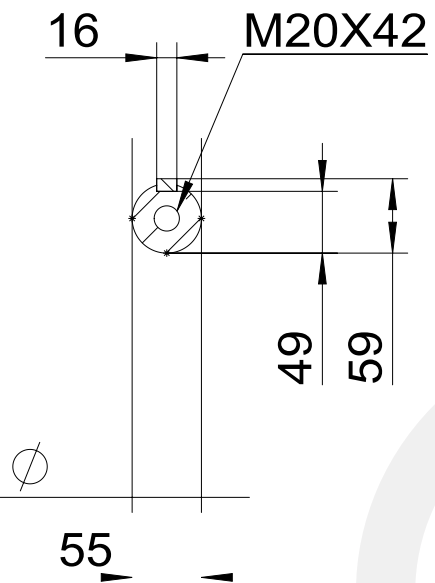




A-A
1:6



Electric s.r.o.

1LCZ-225M-B35-2
Mounting diagram