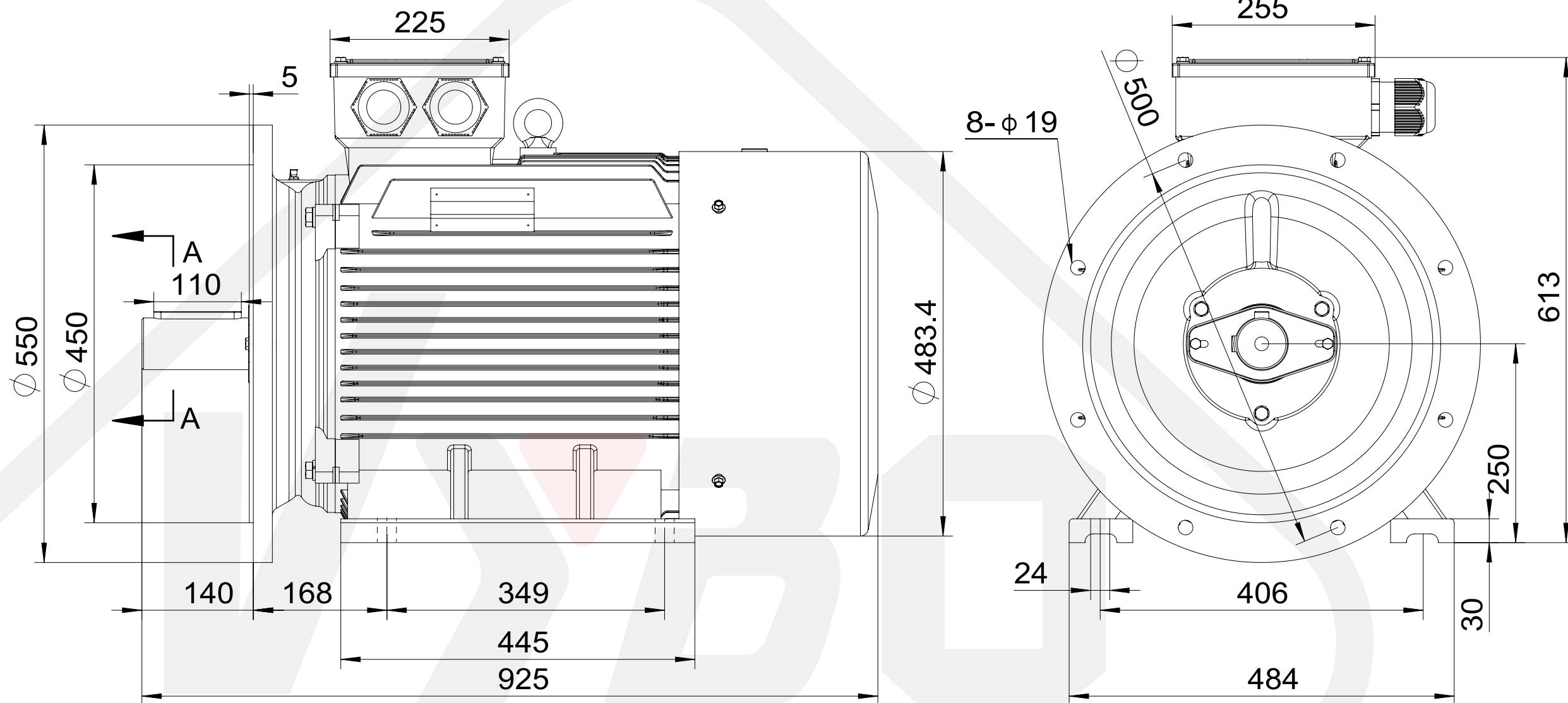
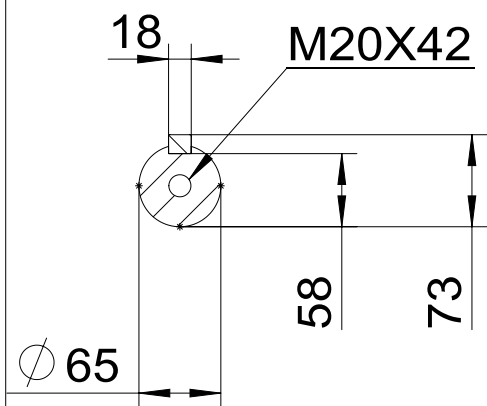




A-A
1:6



Electric  **s.r.o.**

1LCZ-250-B35
Mounting diagram