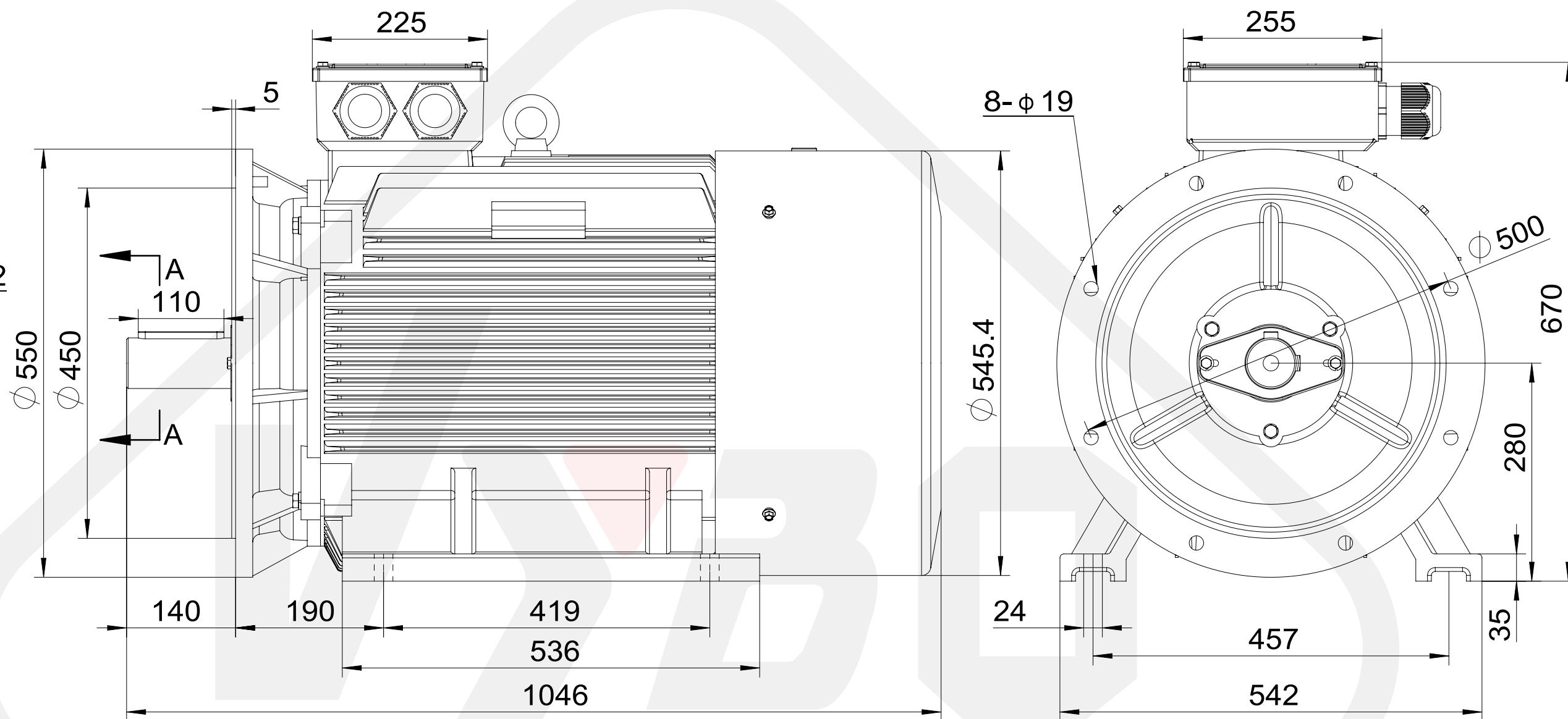
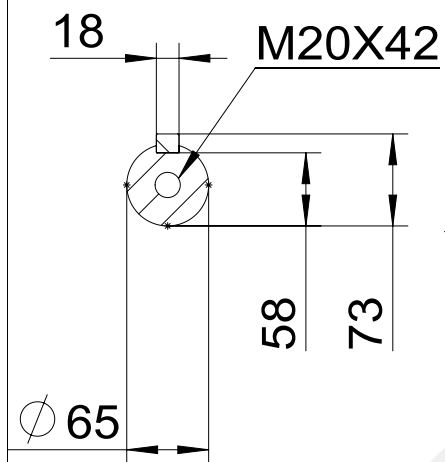




A-A  
1:6



**Electric**  s.r.o.

**1LCZ-280M-B35**  
**Mounting diagram**